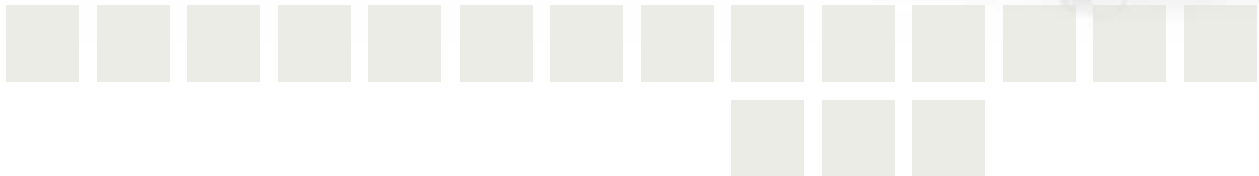


**classic-cart**



classic-cart



# THE UNIVERSAL SOLUTION FOR ALL APPLICATIONS



**classic-cart** grows to meet different challenges and is used most frequently where a high degree of flexibility and lots of options for equipment are required, e.g. in

- Dermatology
- Endoscopy
- Ergospirometry or
- Ultrasound diagnostics

These are medical settings where **classic-cart** really has an opportunity to put its stability and payload capacity to the test. That's because it forms a generous platform for accommodating a wide range of diagnostic instrumentation, treatment and measuring equipment, plus PCs, monitor arms or infusion stands.



■ classic-cart Application for stress test ECG



■ classic-cart Modular solution to provide a mobile source of power supplied by lithium ion batteries



■ classic-cart Application for ENT and phoniatrics



■ classic-cart Application to diagnose vocal fold function (stroboscopy)

Technical data

from page 84

Order configurations classic-cart

from page 88

# classic-cart – THE HIGHLIGHTS AT A GLANCE



The **classic-cart's** basic frame is commodious and its rigid construction makes it **extremely resistant to torsion**.



**Protection against unauthorized access** offer two rear panels that are locked in place by snap closures.

## Perfect functionality

- The sturdy **classic-cart** accommodates payloads of up to 150 kg / 330 lbs.
- The equipment cart is available in various models. It can be fitted with numerous matching accessories, thus enabling a broad range of configurations capable of fulfilling any specific need.
- Safe and virtually invisible wiring is accommodated in optional power columns.
- A rear panel equipped with snap closures affords tamper protection while simultaneously offering swift access for maintenance or assembly work.



Whether used as a basic cart or a complex configuration, **classic-cart** can fulfil multiple functions supporting routine tasks at any surgery or clinic, thanks to its **varied expansion options**. A **broad assortment of accessories** is in stock and can be delivered promptly to satisfy any unmet need.



## Safe power supply

- The spacious power columns can accommodate all standard socket strip types and afford a secure (among other things tamper-proof) power supply.
- Leakage currents can be reduced by installing heavy-duty isolating transformers (up to 1600 VA).
- A clearly visible and easily accessible on and off switch can be integrated into and protected by the power column.



Wiring and all standard socket strips can be safely stowed in the **spacious power columns**.



**All arms supplied by ITD** (whether rigid, swivel-type or adjustable-height) can be attached with ease to the vertical column.

## Smart cable management

- Soft rubber lips lining the slot along the power column allow cables to emerge at any height.
- Both data and power supply lines can be routed separately and virtually invisibly in the spacious power columns.

# classic-cart

classic-cart



# classic-cart – OFFERS AN ASTONISHING ASSORTMENT OF VARIATIONS

Among the unique traits of the two-column **classic-cart** model is the **broad assortment of variants** sold as standard. These can be summarised under the following headings:

- 1 Depending on the customer's needs, the **classic-cart**'s basic frame comes in two standard widths and three standard heights, each of them offering numerous expansion options.
- 2 Even if used as a simple equipment cart, it can meet special needs in numerous applications, e.g. as a PC work station.
- 3 When used as a video rack cart, **classic-cart** can be equipped with optional doors, a rear panel (with snap closures) or side panels, in order to protect valuable equipment, among other purposes.
- 4 **classic-cart** offers a broad assortment of expansion options and many possibilities of adaptation to individual needs, e.g. by adding shelves or blocks of drawers fastened by means of T-slots.

Furthermore power columns enable a method of **rendering power and data wiring** virtually invisible:

- 5 They allow practically invisible and protected accommodation of data and power lines.
- 6 Wiring can be routed safely and separately. Ample storage space for excess cable and socket strips.
- 7 Rubber lips enable cables to enter and exit at any point of the power column.
- 8 There is likewise plenty of space for fastening accessory items like endoscope holders.
- 9 An on and off switch, for instance, can be integrated into the right power column together with an isolating transformer.



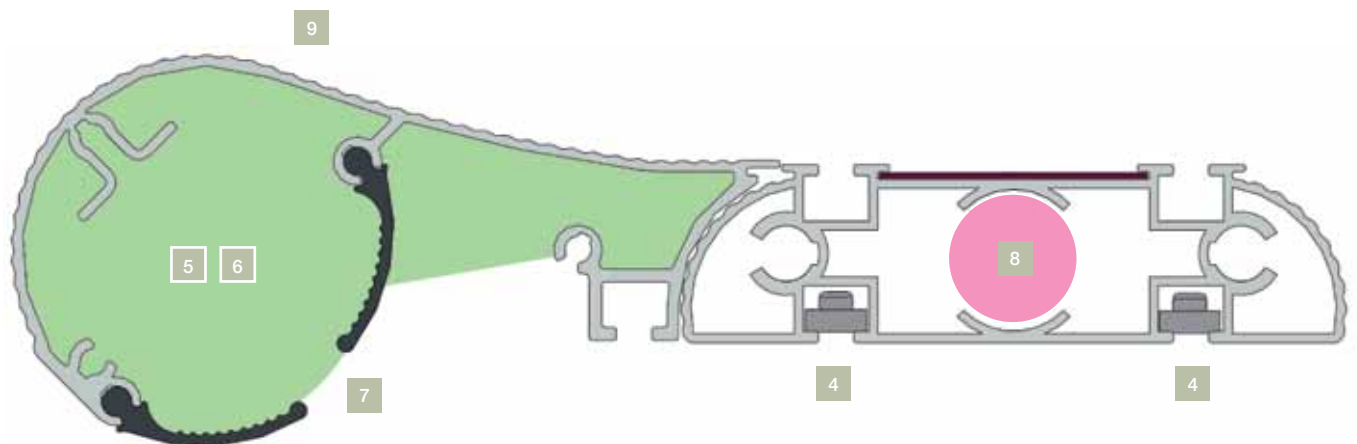
An overview: **classic-cart** – The „all-rounder“ for every application: from the



Power columns can be used e.g. for storing electronic components.



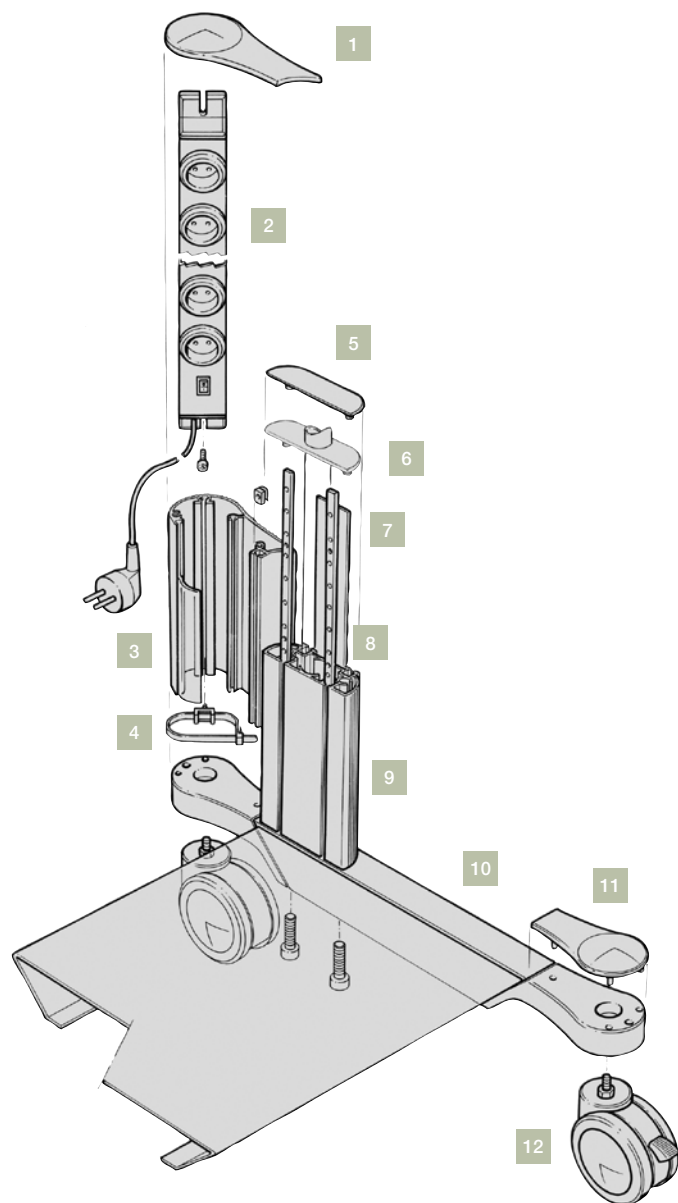
basic cart 1 to a video rack cart 3.



Cross section: the power columns of classic-cart.



# DESIGN ELEMENTS AND DIMENSIONS



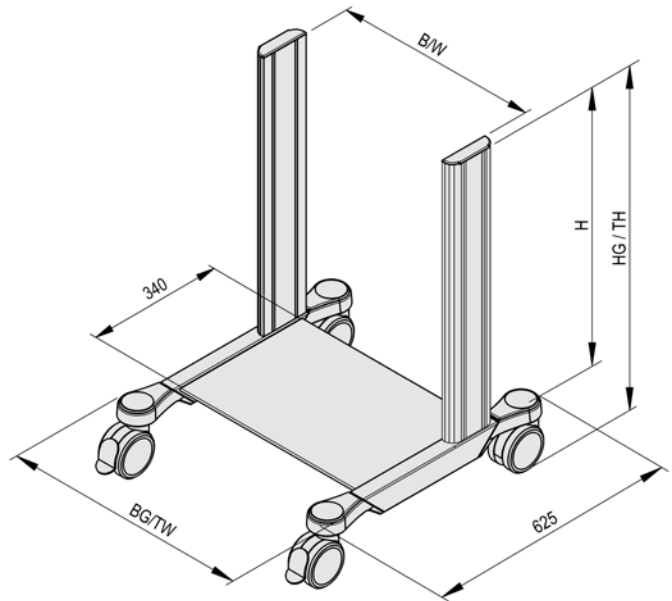
- 1 Cap of the power column (made of plastic (ABS))
- 2 Socket strip for assembly in the power column
- 3 Power column (made of extruded aluminium)
- 4 Cable tie
- 5 Cap of the vertical extrusion (made of plastic (ABS))
- 6 Cap of the vertical extrusion (made of plastic (ABS)) with hole (Ø 25 mm), is used with accessories in the guide
- 7 Decorative trim (made of sheet steel), in RAL 5021 (water blue), RAL 5013 (cobalt blue) or RAL 7035 (light grey), powder-coated
- 8 Tapped strip (made of steel) for mounting all system components in the cart interior (tapped holes M6 in increments of 32 mm)
- 9 Vertical extrusion (made of extruded aluminium), in RAL 7035 light grey, powder-coated
- 10 Base (made of sheet steel) zinc-plated with stabilizers (made of cast aluminium) and powder-coated
- 11 Cap of the stabilizer (made of plastic (ABS))
- 12 Twin swivel castors Ø 100 mm or Ø 125 mm, 2 with wheel locks, optionally also supplied in conductive version

## Setup basic frame „Profi“

- 1 base
- 4 twin swivel castors Ø 100 mm or Ø 125 mm, 2 with wheel locks (optionally also supplied in conductive version)
- 2 vertical extrusions each with 2 tapped strips (in increments of 32 mm)
- Basic frame „Profi“: 2 power columns with caps and cover strips
- Supplied fully assembled

### Please note:

More detailed information on the **classic-cart** basic frames is provided in the chapter „System components and accessories“ on page 144.



Length of the extrusion H	Installation height H (in units)	Total height TH for castors Ø 100 mm	Total height TH for castors Ø 125 mm
675 mm	21 U <sup>1)</sup>	829 mm	857 mm
963 mm	30 U <sup>1)</sup>	1117 mm	1145 mm
1283 mm	40 U <sup>1)</sup>	1437 mm	1465 mm

## Load capacities

- Basic frame (total payload) 150 kg / 330 lbs
- Shelf 50 kg / 110 lbs
- Shelf, pull-out 20 kg / 44 lbs
- Drawer 3 kg / 6.6 lbs
- Drawer, lockable 20 kg / 44 lbs
- Keyboard drawer 5 kg / 11 lbs

## Total width TW

614 mm

714 mm

## Installation width W

500 mm

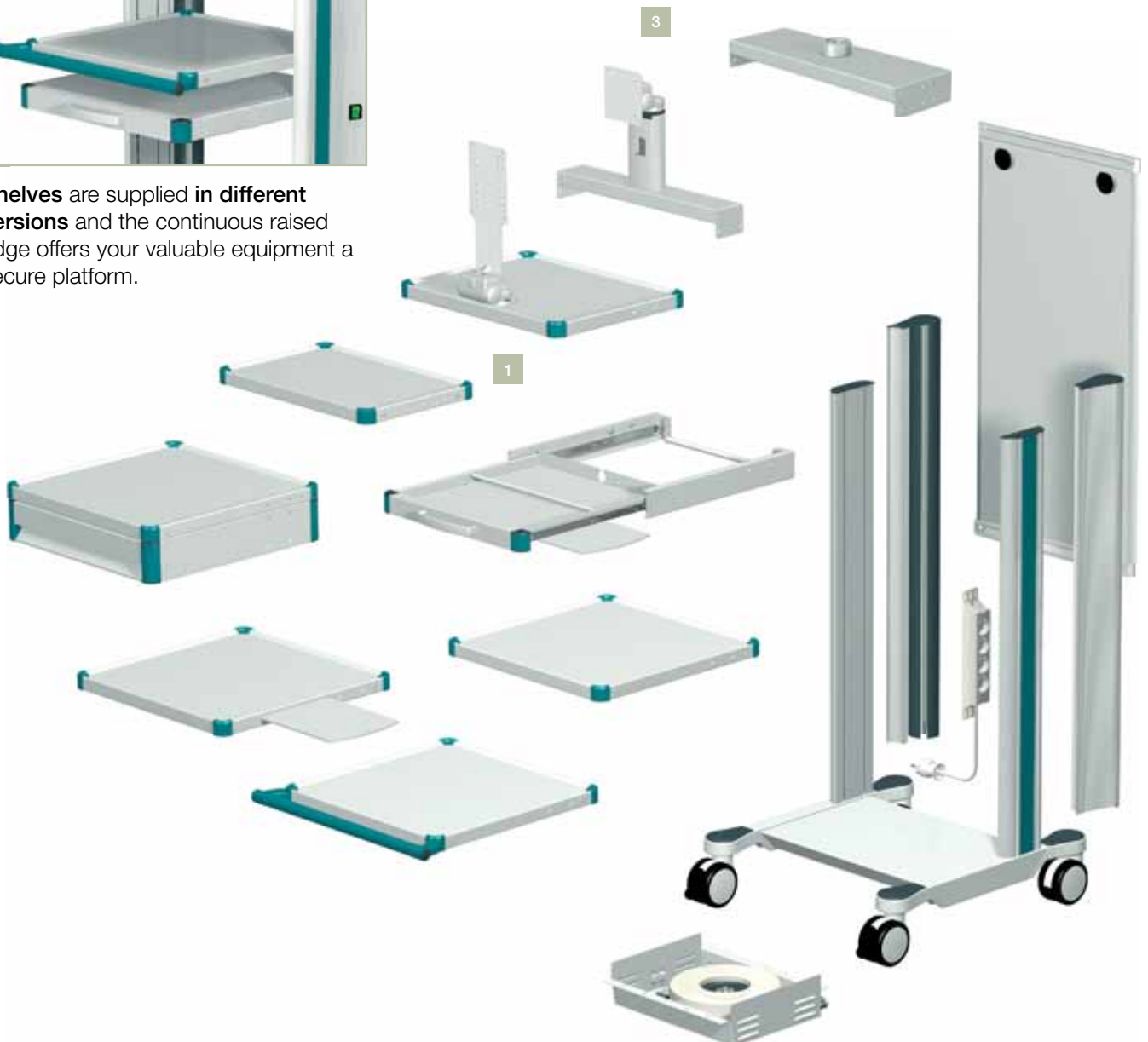
600 mm

# MODULARITY FOR NUMEROUS CONFIGURATION OPTIONS

The modular structure is the defining feature of the **classic-cart** mobile two-column equipment carts and the entire ITD product range, which allows all support systems to be configured, customised, upgraded or easily modified for special functions and application areas using the extensive standard range. This capability allows users to react fast and consistently to any changes or new customer requirements. The T-slots on the support extrusion or special devices ensure easy assembly of the components. The display presented alongside shows a small selection of accessories for the **classic-cart** equipment carts.



**Shelves** are supplied in different versions and the continuous raised edge offers your valuable equipment a secure platform.



# classic-cart



The endoscope holder can be mounted variably on the shelves using two rail fasteners or within the vertical extrusion.



classic-cart can accommodate several types of monitors on its bottom shelf or on a cross-beam.

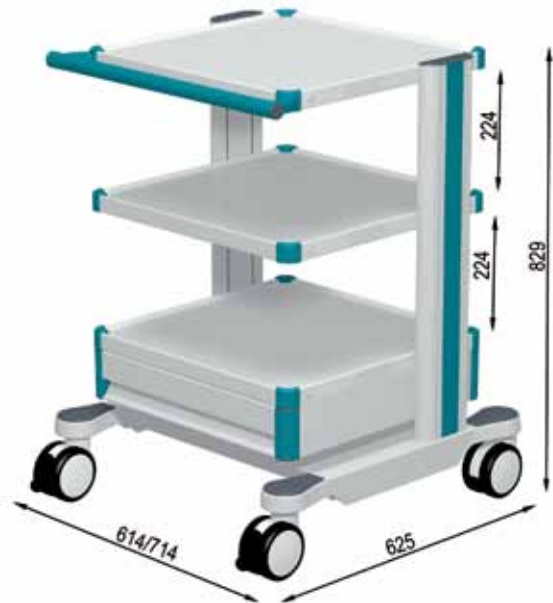


Many accessories, such as for example brackets for holding computers, satisfy the most varied needs.



Variable height support arms (with or without a swivel arm) can be attached by means of a bottom shelf, or else fastened directly to the power column.

# ORDER CONFIGURATIONS



## classic-cart basic cart

Order number:

Installation width: 500 mm GW.5202.XXX <sup>2)</sup>

Installation width: 600 mm GW.6202.XXX <sup>2)</sup>

Equipment cart, 21 U <sup>1)</sup> (total height: 829 mm), fitted with:

- 1 basic frame „Profi“ with 4 twin swivel castors, Ø 100 mm, 2 with wheel locks
- 1 shelf with handle, front
- 1 shelf

**Load capacity:** 150 kg / 330 lbs

**Finish:**

- RAL 7035 light grey, powder-coated
- **Decorative trims, handles and corners** (see <sup>2)</sup>)

## classic-cart basic cart

Order number:

Installation width: 500 mm GW.5210.XXX <sup>2)</sup>

Installation width: 600 mm GW.6210.XXX <sup>2)</sup>

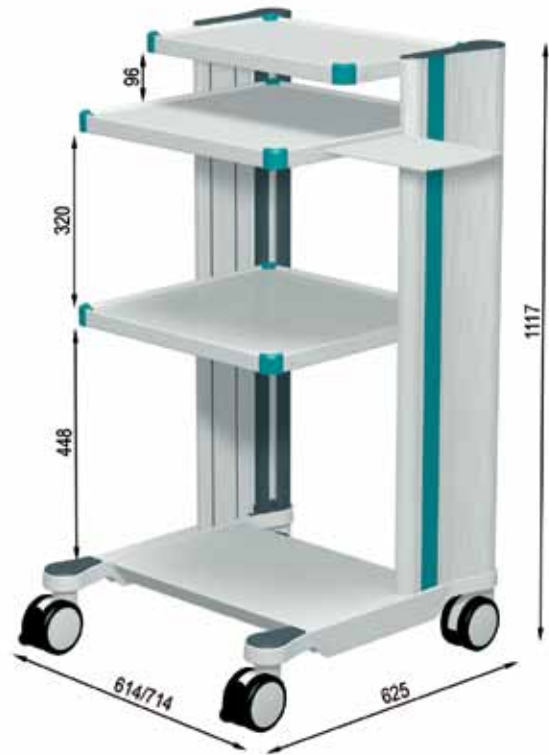
Equipment cart, 21 U <sup>1)</sup> (total height: 829 mm), fitted with:

- 1 basic frame „Profi“ with 4 twin swivel castors, Ø 100 mm, 2 with wheel locks
- 1 shelf with handle, front
- 2 shelves
- 1 drawer

**Load capacity:** 150 kg / 330 lbs

**Finish:**

- RAL 7035 light grey, powder-coated
- **Decorative trims, handles and corners** (see <sup>2)</sup>)



## classic-cart basic cart

Order number:

Installation width: 500 mm GW.5302.XXX <sup>2)</sup>

Installation width: 600 mm GW.6302.XXX <sup>2)</sup>

Equipment cart, 30 U <sup>1)</sup> (total height: 1117 mm), fitted with:

- 1 basic frame „Profi“ with 4 twin swivel castors, Ø 100 mm, 2 with wheel locks
- 1 shelf with handle, front
- 3 shelves
- 1 drawer

**Load capacity:** 150 kg / 330 lbs

**Finish:**

- RAL 7035 light grey, powder-coated
- **Decorative trims, handles and corners** (see <sup>2)</sup>)

## classic-cart basic cart

Order number:

Installation width: 500 mm GW.5308.XXX <sup>2)</sup>

Installation width: 600 mm GW.6308.XXX <sup>2)</sup>

Equipment cart, 30 U <sup>1)</sup> (total height: 1117 mm), fitted with:

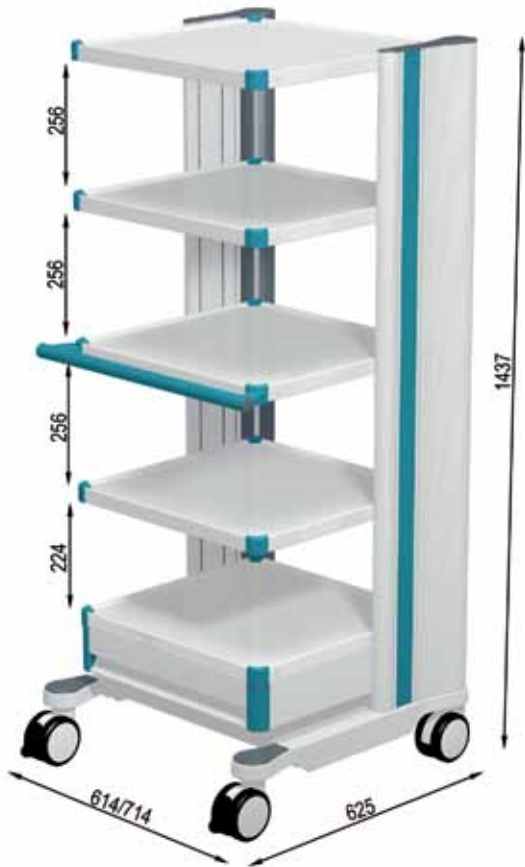
- 1 basic frame „Profi“ with 4 twin swivel castors, Ø 100 mm, 2 with wheel locks
- 1 shelf (depth: 320 mm)
- 1 shelf with pull-out mousepad (left / right)
- 1 shelf
- 2 power columns

**Load capacity:** 150 kg / 330 lbs

**Finish:**

- RAL 7035 light grey, powder-coated
- **Decorative trims, handles and corners** (see <sup>2)</sup>)

# ORDER CONFIGURATIONS



## classic-cart video cart

Order number:

Installation width: 500 mm VW.5402.XXX <sup>2)</sup>

Installation width: 600 mm VW.6402.XXX <sup>2)</sup>

Equipment cart, 40 U <sup>1)</sup> (total height: 1437 mm), fitted with:

- 1 basic frame „Profi“ with 4 twin swivel castors, Ø 100 mm, conductive, 2 with wheel locks
- 1 shelf with handle, front
- 4 shelves
- 1 drawer
- 2 power columns

**Load capacity:** 150 kg / 330 lbs

**Finish:**

- RAL 7035 light grey, powder-coated
- **Decorative trims, handles and corners** (see <sup>2)</sup>)

## classic-cart video cart

Order number:

Installation width: 500 mm VT.5410.XXX <sup>2)</sup>

Installation width: 600 mm VT.6410.XXX <sup>2)</sup>

Equipment cart, 40 U <sup>1)</sup> (total height: 1465 mm), fitted with:

- 1 basic frame „Profi“ with 4 twin swivel castors, Ø 125 mm, conductive, 2 with wheel locks
- 1 shelf with handle, front
- 1 shelf, pull-out
- 4 shelves
- 1 drawer
- 2 power columns
- 1 isolating transformer 1600 VA (see page 257)

**Load capacity:** 150 kg / 330 lbs

**Finish:**

- RAL 7035 light grey, powder-coated
- **Decorative trims, handles and corners** (see <sup>2)</sup>)

<sup>1)</sup> 1 U = 32 mm

<sup>2)</sup> Trim colour: make sure you replace .XXX with .901 = RAL 5021 water blue, .902 = RAL 5013 cobalt blue, .903 = RAL 7035 light grey



## classic-cart video rack cart

Order number:

Installation width: 500 mm VS.5402.XXX <sup>2)</sup>

Installation width: 600 mm VS.6402.XXX <sup>2)</sup>

Equipment cart, 40 U <sup>1)</sup> (total height: 1437 mm), fitted with:

- 1 basic frame „Profi“ with 4 twin swivel castors, Ø 100 mm, conductive, 2 with wheel locks
- 1 shelf with handle, front
- 4 shelves
- 1 drawer
- 2 power columns
- 2 side panels
- 1 rear panel

**Load capacity:** 150 kg / 330 lbs

**Finish:**

- RAL 7035 light grey, powder-coated
- **Decorative trims, handles and corners** (see <sup>2)</sup>)

## classic-cart video rack cart

Order number:

Installation width: 500 mm VS.5302.XXX <sup>2)</sup>

Equipment cart, 30 U <sup>1)</sup> (total height: 1117 mm), fitted with:

- 1 basic frame „Profi“ with 4 twin swivel castors, Ø 100 mm, conductive, 2 with wheel locks
- 1 shelf with handle, front
- 1 shelf, pull-out
- 1 drawer
- 1 pedestal rack, with
  - 1 shelf base
  - 2 glass doors with handle
- 2 power columns
- 2 side panels
- 1 rear panel

**Load capacity:** 150 kg / 330 lbs

**Finish:**

- RAL 7035 light grey, powder-coated
- **Decorative trims, handles and corners** (see <sup>2)</sup>)



# OVERVIEW

## SYSTEM COMPONENTS AND ACCESSORIES

Basic frame	Installation height 21 U <sup>1)</sup> Installation height 30 U <sup>1)</sup> Installation height 40 U <sup>1)</sup>	Installation width	W 500 mm <b>GW.5502.XXX</b> <sup>2)</sup> <b>GW.5503.XXX</b> <sup>2)</sup> <b>GW.5504.XXX</b> <sup>2)</sup>	W 600 mm <b>GW.6502.XXX</b> <sup>2)</sup> <b>GW.6503.XXX</b> <sup>2)</sup> <b>GW.6504.XXX</b> <sup>2)</sup>
Power columns	Installation height 21 U <sup>1)</sup> Installation height 30 U <sup>1)</sup> Installation height 40 U <sup>1)</sup>	Installation width	<u>not prepared</u> for on and off switch <b>GW.0242.991</b> <b>GW.0243.991</b> <b>GW.0244.991</b>	<u>prepared</u> for on and off switch <b>GW.0660.991</b> <b>GW.0661.991</b> <b>GW.0662.991</b>
Rear panel	Installation height 21 U <sup>1)</sup> Installation height 30 U <sup>1)</sup> Installation height 40 U <sup>1)</sup>	Installation width	W 500 mm <b>GW.5150.991</b> <b>GW.5151.991</b> <b>GW.5152.991</b>	W 600 mm <b>GW.6150.991</b> <b>GW.6151.991</b> <b>GW.6152.991</b>
Castor conversion kit	Ø 100 mm, conductive, instead of standard Ø 100 mm Ø 125 mm, conductive, instead of standard Ø 100 mm Ø 125 mm, conductive, instead of standard Ø 100 mm, conductive wall protector			<b>ZV.9428.999</b> <b>ZV.9923.999</b> <b>ZV.9924.999</b> <b>ZV.9964.999</b>
Shelf	with handle (front) with pull-out mousepad (left / right) with handle (front) and pull-out mousepad (left / right) pull-out monitor shelf (D 320 mm)	Installation width	W 500 mm <b>GW.5001.XXX</b> <sup>2)</sup> <b>GW.5002.XXX</b> <sup>2)</sup> <b>GW.5035.XXX</b> <sup>2)</sup> <b>GW.5049.XXX</b> <sup>2)</sup> <b>GW.5040.XXX</b> <sup>2)</sup> <b>GW.5027.XXX</b> <sup>2)</sup>	W 600 mm <b>GW.6001.XXX</b> <sup>2)</sup> <b>GW.6002.XXX</b> <sup>2)</sup> <b>GW.6035.XXX</b> <sup>2)</sup> <b>GW.6049.XXX</b> <sup>2)</sup> <b>GW.6040.XXX</b> <sup>2)</sup> <b>GW.6027.XXX</b> <sup>2)</sup>
Printer shelf		Installation width	W 500 mm <b>GW.5008.XXX</b> <sup>2)</sup>	W 600 mm <b>GW.6008.XXX</b> <sup>2)</sup>
Rack base		Installation width	W 500 mm <b>GW.5075.991</b>	W 600 mm <b>GW.6075.991</b>
Keyboard drawer	<u>without</u> pull-out mousepad (left / right) <u>with</u> pull-out mousepad (left / right)	Installation width	W 500 mm <b>GW.5034.XXX</b> <sup>2)</sup> <b>GW.5036.XXX</b> <sup>2)</sup>	W 600 mm <b>GW.6034.XXX</b> <sup>2)</sup> <b>GW.6036.XXX</b> <sup>2)</sup>
PC / Computer holder	for mounting on the inside of the extrusion small, up to 5 kg / 11 lbs large, up to 20 kg / 44 lbs			<b>GW.0709.991</b> <b>TS.6144.991</b> <b>TS.6146.991</b>
Power pack holder	universal, small universal, large			<b>TS.0524.991</b> <b>TS.0574.991</b>
Monitor holder	on cross piece with column with VESA 75 / 100, up to 8 kg / 17.6 lbs on cross piece with VESA 75 / 100, up to 14 kg / 30.8 lbs, universal on monitor shelf (D 380 mm) with VESA 75 / 100, up to 14 kg / 30.8 lbs, universal on cross piece with VESA 75 / 100, up to 14 kg / 30.8 lbs, adjustable on monitor shelf (D 380 mm) with VESA 75 / 100, up to 14 kg / 30.8 lbs, adjustable	Installation width	W 500 mm <b>GW.5024.991</b> <b>GW.5096.991</b> <b>GW.5091.XXX</b> <sup>2)</sup> <b>GW.5097.991</b> <b>GW.5092.XXX</b> <sup>2)</sup>	W 600 mm <b>GW.5024.991</b> <b>GW.6096.991</b> <b>GW.6091.XXX</b> <sup>2)</sup> <b>GW.6097.991</b> <b>GW.6092.XXX</b> <sup>2)</sup>
Monitor holder	with VESA 75 / 100, up to 8 kg / 17.6 lbs (for retrofitting on monitor shelf) with VESA 75 / 100, universal, up to 14 kg / 30.8 lbs, on vertical extrusion			<b>GW.0844.991</b> <b>GW.0885.991</b>
Pivot arm	1 unit, with VESA 75 / 100, up to 8 kg / 17.6 lbs 2 units, with VESA 75 / 100, up to 8 kg / 17.6 lbs			<b>TS.6314.991</b> <b>TS.6315.991</b>
Variable height support arm <b>flexion-port</b> (with VESA 75 / 100R adaption)	length 300 mm, load capacity 3-10 kg / 6.6-22 lbs length 300 mm, load capacity 8-14 kg / 17.6-30.8 lbs length 400 mm, load capacity 3-10 kg / 6.6-22 lbs length 400 mm, load capacity 8-14 kg / 17.6-30.8 lbs length 600 mm, load capacity 3-10 kg / 6.6-22 lbs length 600 mm, load capacity 8-14 kg / 17.6-30.8 lbs			<b>HA.2000.XXX</b> <sup>2)</sup> <b>HA.2007.XXX</b> <sup>2)</sup> <b>HA.2001.XXX</b> <sup>2)</sup> <b>HA.2008.XXX</b> <sup>2)</sup> <b>HA.2002.XXX</b> <sup>2)</sup> <b>HA.2009.XXX</b> <sup>2)</sup>
Variable height support arm <b>flexion-port</b> (with VESA 75 / 100R adaption) on pivot arm	length 300 mm + 350 mm, load capacity 3-10 kg / 6.6-22 lbs length 300 mm + 350 mm, load capacity 8-14 kg / 17.6-30.8 lbs length 400 mm + 350 mm, load capacity 3-10 kg / 6.6-22 lbs length 400 mm + 350 mm, load capacity 8-14 kg / 17.6-30.8 lbs			<b>HA.2054.XXX</b> <sup>2)</sup> <b>HA.2064.XXX</b> <sup>2)</sup> <b>HA.2014.XXX</b> <sup>2)</sup> <b>HA.2016.XXX</b> <sup>2)</sup>

Variable height support arm <b>flexion-port</b> (with VESA 75 / 100 adaption, universal)	length 300 mm, load capacity 3-10 kg / 6.6-22 lbs length 300 mm, load capacity 8-14 kg / 17.6-30.8 lbs length 400 mm, load capacity 3-10 kg / 6.6-22 lbs length 400 mm, load capacity 8-14 kg / 17.6-30.8 lbs length 600 mm, load capacity 3-10 kg / 6.6-22 lbs length 600 mm, load capacity 8-14 kg / 17.6-30.8 lbs		HA.2004.XXX <sup>2)</sup> HA.2010.XXX <sup>2)</sup> HA.2005.XXX <sup>2)</sup> HA.2011.XXX <sup>2)</sup> HA.2036.XXX <sup>2)</sup> HA.2039.XXX <sup>2)</sup>	
Variable height support arm <b>flexion-port</b> (with VESA 75 / 100 adaption, universal) on pivot arm	length 300 mm + 350 mm, load capacity 3-10 kg / 6.6-22 lbs length 300 mm + 350 mm, load capacity 8-14 kg / 17.6-30.8 lbs length 400 mm + 350 mm, load capacity 3-10 kg / 6.6-22 lbs length 400 mm + 350 mm, load capacity 8-14 kg / 17.6-30.8 lbs		HA.2016.XXX <sup>2)</sup> HA.2022.XXX <sup>2)</sup> HA.2017.XXX <sup>2)</sup> HA.2023.XXX <sup>2)</sup>	
Cross piece	1 unit, for variable height support arms <b>flexion-port</b>	Installation width	W 500 mm HA.5011.991	W 600 mm HA6011.991
Monitor shelf	with VESA 75 / 100, universal, up to 14 kg, <u>without</u> pivot arm for variable height support arms <b>flexion-port</b> with VESA 75 / 100, universal, up to 14 kg, <u>with</u> pivot arm for variable height support arms <b>flexion-port</b>	Installation width	W 500 mm GW.5099.XXX <sup>2)</sup> GW.5098.XXX <sup>2)</sup>	W 600 mm GW.6099.XXX <sup>2)</sup> GW.6098.XXX <sup>2)</sup>
Variable height support arm <b>flexion-port</b> (with VESA 75 / 100R adaption) for cross piece / monitor shelf	length 300 mm, load capacity 3-10 kg / 6.6-22 lbs length 300 mm, load capacity 8-14 kg / 17.6-30.8 lbs length 400 mm, load capacity 3-10 kg / 6.6-22 lbs length 400 mm, load capacity 8-14 kg / 17.6-30.8 lbs		HA.2060.XXX <sup>2)</sup> HA.2061.XXX <sup>2)</sup> HA.2062.XXX <sup>2)</sup> HA.2063.XXX <sup>2)</sup>	
Variable height support arm <b>flexion-port</b> (with VESA 75 / 100R adaption) on pivot arm for cross piece / monitor shelf	length 300 mm + 350 mm, load capacity 3-10 kg / 6.6-22 lbs length 300 mm + 350 mm, load capacity 8-14 kg / 17.6-30.8 lbs length 400 mm + 350 mm, load capacity 3-10 kg / 6.6-22 lbs length 400 mm + 350 mm, load capacity 8-14 kg / 17.6-30.8 lbs		HA.2066.XXX <sup>2)</sup> HA.2067.XXX <sup>2)</sup> HA.2068.XXX <sup>2)</sup> HA.2069.XXX <sup>2)</sup>	
Handle	for variable height support arms <b>flexion-port</b>		HA.1036.991	
Counterweight kit	above the base traverse under the base traverse		HA.2094.991 ZV.9742.991	
Drawer	1 unit, high	Installation width	W 500 mm GW.5051.XXX <sup>2)</sup> GW.5052.XXX <sup>2)</sup>	W 600 mm GW.6051.XXX <sup>2)</sup> GW.6052.XXX <sup>2)</sup>
Storage basket	tapered stainless steel tapered, small		ZV.9967.800 ZV.9893.999 ZV.9892.991	
Endoscope holder	single, in the vertical extrusion single, on shelf / standard runner dual, in the vertical extrusion dual, on shelf / standard runner		GW.0867.991 GW.0868.991 GW.0869.991 GW.0870.991	
Drain glas	an vertical extrusion on telescopic bar		ZV.9963.999 ZV.9986.999	
Connection holder	accommodates up to three endoscope connectors		ZV.9833.999	
Rinsing bottle holder			GW.9805.999	
Hose holder			GW.9882.999	
Camera holder	with clamp cable holder		GW.9990.999 GW.9983.991 GW.9807.991	
Gel bottle holder	for Ø 60 mm		GW.0800.991	
Bottle holder	for Ø 120 mm for Ø 145 mm		GW.0400.991 GW.0401.991	



<sup>1)</sup> 1 U = 32 mm

<sup>2)</sup> Trim colour: make sure you replace .XXX with .901 = RAL 5021 water blue, .902 = RAL 5013 cobalt blue, .903 = RAL 7035 light grey

# OVERVIEW

## SYSTEM COMPONENTS AND ACCESSORIES

Gas bottle holder	for gas bottles with max. 2 l content for gas bottles with 3 / 5 / 10 l content, max. Ø 145 mm for gas bottles with max. 20 l content, max. Ø 205 mm				GW.0466.991 GW.0160.991 GW.0285.991
IV pole	4 arm, with one-hand adjustment, 4 x 2 kg 4 arm, with one-hand adjustment, 4 x 5 kg				ZV.9882.800 ZV.9464.800
Standard runner	length 390 mm				GW.9801.991
Anchor	rigid on rotation unit				ZV.9820.799 TS.6286.991
Clamps	for standard runner, Ø 16 mm for standard runner, Ø 18 mm for shelf, Ø 16 mm for shelf, Ø 18 mm				ZV.9876.999 ZV.9877.999 ZV.9878.999 ZV.9879.999
Rail fastener	for drain glas				ZV.9957.999 ZV.9958.999
Holder for suction system	accommodation in the outer T-slots accommodation in the power columns	Ergoline / Strässle GW.0570.991 GW.0717.991	Hellige / KISS GW.0702.991		custo med GW.0704.991
Adapter pieces	Ø 25 mm (outside)	Ø 13 mm (inside) ZV.9901.999	Ø 16 mm (inside) ZV.9952.999	Ø 18 mm (inside) ZV.9953.999	
Foot switch cradle					ZV.9991.991
Holder for transducer					GW.0843.991
Equipment fixing					FC.0221.991
Box holder	„Dracula“				ZV.9832.999
Jointed arm	with hose clamps (Ø 16 mm) for small equipment (Ø 18 mm)				ZV.9955.799 ZV.9680.999
Socket strips	EURO, 6-way, with external ground connection cable EURO, 8-way, with external ground connection cable earthed, 3-way, with on and off switch and external ground connection cable earthed, 6-way, with external ground connection cable earthed, 8-way, with external ground connection cable earthed, 8-way, with on and off switch and external ground connection cable earthed, 8-way, with on and off switch French Standard, 6-way, with external ground connection cable				ZV.9501.999 ZV.9376.999 ZV.9977.999 ZV.9503.999 ZV.9504.999 ZV.9502.999 ZV.9505.999 ZV.9506.999
Socket strip mounting kit	with cable winder				FC.0302.991 GW.0631.991
Plug removal barrier					GW.0633.991
Cable winder					FC.0253.991
Power cable for EURO socket strips	earthed Swiss Standard British Standard US Standard		<u>without</u> equipotential bonding cable ZV.9809.799 ZV.9798.799 ZV.9860.799 ZV.9770.799	<u>with</u> equipotential bonding cable ZV.9620.999	
EURO power cable	length 0,6 m length 1,0 m length 1,5 m length 2,0 m length 2,5 m				ZV.9773.799 ZV.9960.799 ZV.9371.799 ZV.9372.799 ZV.9373.799

Adapter cable			ZV.9959.799
Equipotential bonding	equipotential plug panel with 8 equipotential plugs panel with 9 equipotential plugs equipotential cable, 0,3 m equipotential cable, 0,5 m equipotential cable, 1,0 m equipotential cable, 1,5 m equipotential cable, 5,0 m		ZV.9940.999 CC.0276.999 ZV.9802.999 ZV.9941.999 ZV.9942.999 ZV.9943.999 ZV.9488.999 ZV.9944.999
Isolating transformer	660 VA 1000 VA 1600 VA	without insulation monitor ZV.9350.999 ZV.9352.999 ZV.9354.999	with insulation monitor ZV.9351.999 ZV.9353.999 ZV.9355.999
On and off switch	to integrate in the power column		GW.0525.999
LED sticks	with 2 clips with mounting plate with adhesive socket		ZV.9378.999 ZV.9379.999
Spring nuts	M6 (50 pieces)		ZV.9851.999

You will find a comprehensive description and ordering information on all components in the „**system components and accessories**“ section.

System components and accessories

from page 132

Order number index

from page 262